

SCTE | **STANDARDS**

Interface Practices Subcommittee

SCTE STANDARD

SCTE 191 2018 (R2024)

**Test Method for
Axial Pull Force, Female “F” Port**

NOTICE

The Society of Cable Telecommunications Engineers (SCTE) Standards and Operational Practices (hereafter called “documents”) are intended to serve the public interest by providing specifications, test methods and procedures that promote uniformity of product, interoperability, interchangeability, best practices, and the long term reliability of broadband communications facilities. These documents shall not in any way preclude any member or non-member of SCTE from manufacturing or selling products not conforming to such documents, nor shall the existence of such standards preclude their voluntary use by those other than SCTE members.

SCTE assumes no obligations or liability whatsoever to any party who may adopt the documents. Such adopting party assumes all risks associated with adoption of these documents and accepts full responsibility for any damage and/or claims arising from the adoption of such documents.

NOTE: The user’s attention is called to the possibility that compliance with this document may require the use of an invention covered by patent rights. By publication of this document, no position is taken with respect to the validity of any such claim(s) or of any patent rights in connection therewith. If a patent holder has filed a statement of willingness to grant a license under these rights on reasonable and nondiscriminatory terms and conditions to applicants desiring to obtain such a license, then details may be obtained from the standards developer. SCTE shall not be responsible for identifying patents for which a license may be required or for conducting inquiries into the legal validity or scope of those patents that are brought to its attention.

Patent holders who believe that they hold patents which are essential to the implementation of this document have been requested to provide information about those patents and any related licensing terms and conditions. Any such declarations made before or after publication of this document are available on the SCTE web site at <https://scte.org>.

All Rights Reserved
© 2024 Society of Cable Telecommunications Engineers, Inc.
140 Philips Road
Exton, PA 19341

Document Tags

<input type="checkbox"/> Specification	<input type="checkbox"/> Checklist	<input checked="" type="checkbox"/> Facility
<input checked="" type="checkbox"/> Test or Measurement	<input type="checkbox"/> Metric	<input type="checkbox"/> Access Network
<input type="checkbox"/> Architecture or Framework	<input type="checkbox"/> Cloud	<input type="checkbox"/> Customer Premises
<input type="checkbox"/> Procedure, Process or Method		

Document Release History

Release	Date
SCTE 191 2013	<i>2013</i>
SCTE 191 2018	<i>2018</i>
SCTE 191 2018 (R2024)	<i>2/2/2024</i>

Note: Standards that are released multiple times in the same year use: a, b, c, etc. to indicate normative balloted updates and/or r1, r2, r3, etc. to indicate editorial changes to a released document after the year.

Note: This document is a reaffirmation of SCTE 191 2018. No substantive changes have been made to this document. Information components may have been updated such as the title page, NOTICE text, headers, and footers.

Table of Contents

Title	Page Number
NOTICE.....	2
Document Tags.....	3
Document Release History	3
Table of Contents	4
1. Introduction.....	5
1.1. Executive Summary	5
1.2. Scope	5
1.3. Benefits	5
1.4. Intended Audience	5
1.5. Areas for Further Investigation or to be Added in Future Versions.....	5
2. Normative References	5
2.1. SCTE References	5
2.2. Standards from Other Organizations	5
2.3. Other Published Materials	5
3. Informative References	5
3.1. SCTE References	6
3.2. Standards from Other Organizations	6
3.3. Other Published Materials	6
4. Compliance Notation	6
5. Abbreviations and Definitions.....	6
5.1. Abbreviations.....	6
5.2. Definitions.....	6
Appendix A. Report Form	10

List of Figures

Title	Page Number
Figure 1 - Possible Mounting Stand with Device and Test Fixture Attached.....	8
Figure 2 - Test Fixture Design	9

1. Introduction

1.1. Executive Summary

Test Method to determine F Port strength when subjected to axial pull.

1.2. Scope

This test procedure is used to evaluate the mechanical strength of female "F" ports when an axial pull force is applied.

1.3. Benefits

Proper mechanical attachment of the F Port to equipment is important to the performance of the physical plant.

1.4. Intended Audience

Technical Operations, Installation, Service and Maintenance technicians.

1.5. Areas for Further Investigation or to be Added in Future Versions

Further investigation may be needed if end user determines failure of F Port when tested in accordance to this standard.

2. Normative References

The following documents contain provisions which, through reference in this text, constitute provisions of this document. The editions indicated were valid at the time of subcommittee approval. All documents are subject to revision and, while parties to any agreement based on this document are encouraged to investigate the possibility of applying the most recent editions of the documents listed below, they are reminded that newer editions of those documents might not be compatible with the referenced version.

2.1. SCTE References

No normative references are applicable.

2.2. Standards from Other Organizations

No normative references are applicable.

2.3. Other Published Materials

No normative references are applicable.

3. Informative References

The following documents might provide valuable information to the reader but are not required when complying with this document.

3.1. SCTE References

[SCTE 01] ANSI/SCTE 01 2015, Specification for “F” Port, Female, Outdoor.

[SCTE 02] ANSI/SCTE 02 2015, Specification for “F” Port, Female, Indoor.

3.2. Standards from Other Organizations

No informative references are applicable.

3.3. Other Published Materials

No informative references are applicable.

4. Compliance Notation

<i>shall</i>	This word or the adjective “ <i>required</i> ” means that the item is an absolute requirement of this document.
<i>shall not</i>	This phrase means that the item is an absolute prohibition of this document.
<i>forbidden</i>	This word means the value specified <i>shall</i> never be used.
<i>should</i>	This word or the adjective “ <i>recommended</i> ” means that there <i>may</i> exist valid reasons in particular circumstances to ignore this item, but the full implications <i>should</i> be understood and the case carefully weighed before choosing a different course.
<i>should not</i>	This phrase means that there <i>may</i> exist valid reasons in particular circumstances when the listed behavior is acceptable or even useful, but the full implications <i>should</i> be understood and the case carefully weighed before implementing any behavior described with this label.
<i>may</i>	This word or the adjective “ <i>optional</i> ” indicate a course of action permissible within the limits of the document.
deprecated	Use is permissible for legacy purposes only. Deprecated features <i>may</i> be removed from future versions of this document. Implementations <i>should</i> avoid use of deprecated features.

5. Abbreviations and Definitions

5.1. Abbreviations

ISBE	International Society of Broadband Experts
SCTE	Society of Cable Telecommunications Engineers
ANSI	American National Standard Institute
CRS	Cold Rolled Steel

5.2. Definitions

None.

6. Equipment

1. Tensile force testing machine (Instron Model 1122 or equivalent) with a recording device. It may be desirable to have an automatic cut off feature which can be activated by a maximum excursion limit setting and/or maximum force limit.
2. Mounting stand to secure the sample to the Instron base with the sample test port facing up, on axis with the pulling force. A possible configuration is shown in the accompanying drawing (Figure 1).
3. Axial pull test fixture (Figure 2) that threads over the port to be tested. Material should be cold rolled steel (CRS).
4. Mounting fixture to attach the test fixture to the Instron moving cross head. A pin through the test fixture 0.25 inch (6.4mm) hole is used to attach to the moving cross head.

7. Test Samples

A minimum of five samples of each device shall be used for testing.

8. Testing Method

1. Calibrate the tensile test fixture per the manufacturer's recommendations.
2. Secure the device with the female "F" port to be tested to the mounting base. The port under test must be aligned perpendicular to the crosshead within $\pm 2^\circ$.
3. Thread the axial pull force test fixture onto the female "F" port to be tested, tighten to 30 in-lbs (3.34 N-m), pin fixture to the moving cross head and zero out the force gauge.
4. The female "F" port under test shall be pulled (in the direction indicated by the arrow in Figure 1) to failure at a cross head speed of 2 inches (50 mm) per minute.
5. Record the maximum measured tensile force on the attached Report Form.

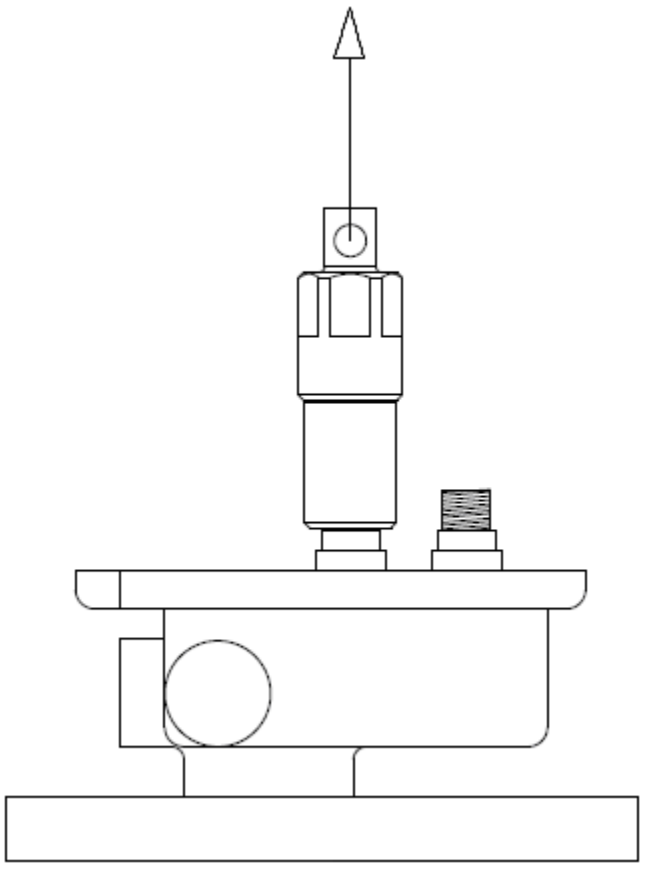


Figure 1 - Possible Mounting Stand with Device and Test Fixture Attached

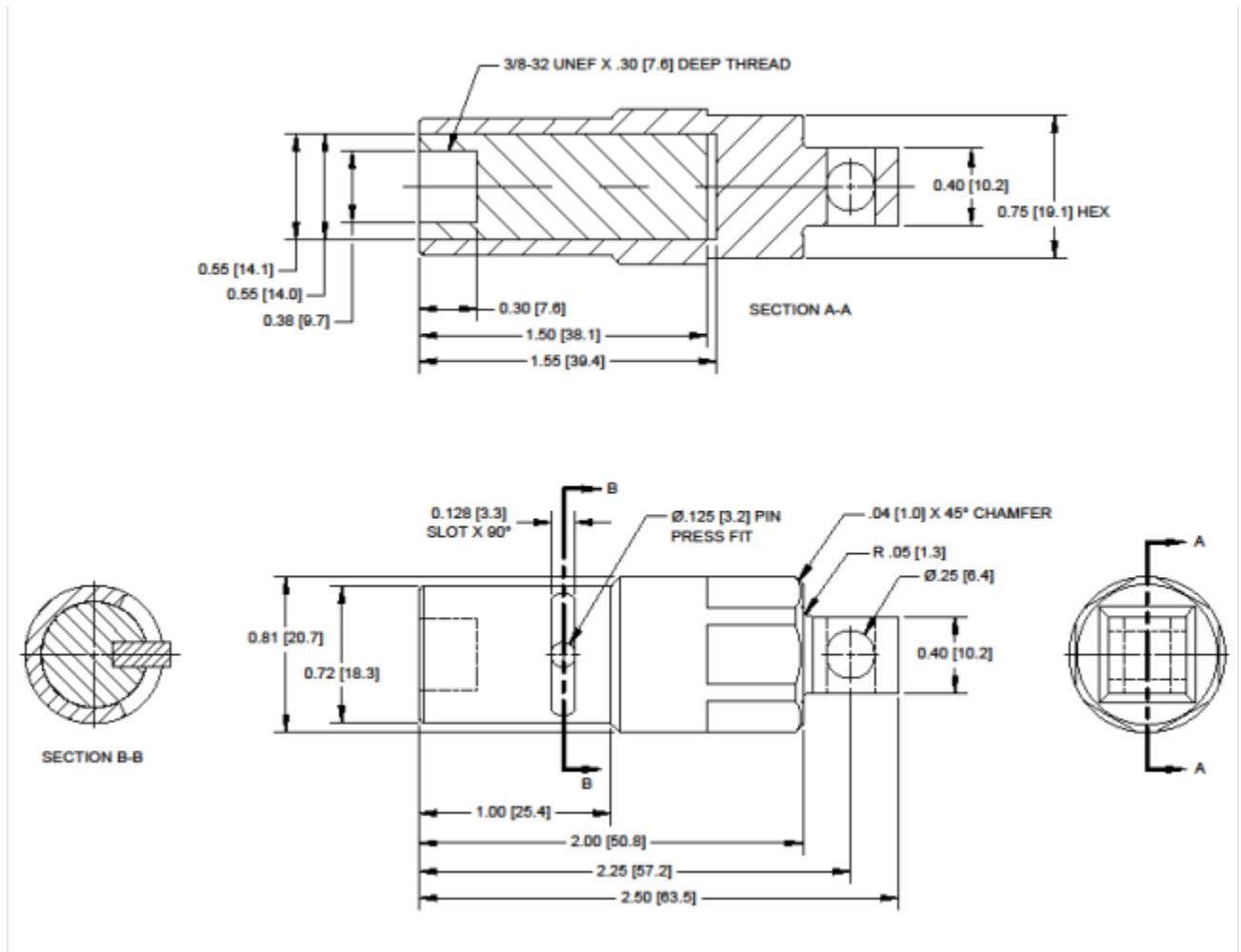


Figure 2 - Test Fixture Design

Appendix A. Report Form

Device Type:		
Manufacturer:		
Test Sample Number	Force Measured on Tensile Tester	Comments
1		
2		
3		
4		
5		
6		
7		
8		
9		
10		