

# **SCTE • ISBE** **S T A N D A R D S**

---

**Interface Practices Subcommittee**

---

**AMERICAN NATIONAL STANDARD**

**ANSI/SCTE 12 2018**

**Test Method for Center Conductor Bond to Dielectric for  
Trunk, Feeder and Distribution Coaxial Cables**

## NOTICE

The Society of Cable Telecommunications Engineers (SCTE) / International Society of Broadband Experts (ISBE) Standards and Operational Practices (hereafter called “documents”) are intended to serve the public interest by providing specifications, test methods and procedures that promote uniformity of product, interchangeability, best practices and ultimately the long-term reliability of broadband communications facilities. These documents shall not in any way preclude any member or non-member of SCTE•ISBE from manufacturing or selling products not conforming to such documents, nor shall the existence of such standards preclude their voluntary use by those other than SCTE•ISBE members.

SCTE•ISBE assumes no obligations or liability whatsoever to any party who may adopt the documents. Such adopting party assumes all risks associated with adoption of these documents, and accepts full responsibility for any damage and/or claims arising from the adoption of such documents.

Attention is called to the possibility that implementation of this document may require the use of subject matter covered by patent rights. By publication of this document, no position is taken with respect to the existence or validity of any patent rights in connection therewith. SCTE•ISBE shall not be responsible for identifying patents for which a license may be required or for conducting inquiries into the legal validity or scope of those patents that are brought to its attention.

Patent holders who believe that they hold patents which are essential to the implementation of this document have been requested to provide information about those patents and any related licensing terms and conditions. Any such declarations made before or after publication of this document are available on the SCTE•ISBE web site at <http://www.scte.org>.

All Rights Reserved

© Society of Cable Telecommunications Engineers, Inc. 2018  
140 Philips Road  
Exton, PA 19341

**Table of Contents**

1.0 Scope.....3

2.0 Informative References.....3

3.0 Equipment.....3

4.0 Test Sample.....5

5.0 Test Methods.....5

    Diagram: Center Conductor Bond Fixture.....5

6.0 Inspection.....6

    Test results.....7

## 1.0 SCOPE

This document is identical to SCTE 12 2011 except for informative components which may have been updated such as the title page, NOTICE text, headers and footers. No normative changes have been made to this document.

This test is to determine the bond strength between the center conductor and dielectric for specified semi-flexible coaxial cables.

## 2.0 INFORMATIVE REFERENCES

The following documents may provide valuable information to the reader but are not required when complying with this standard.

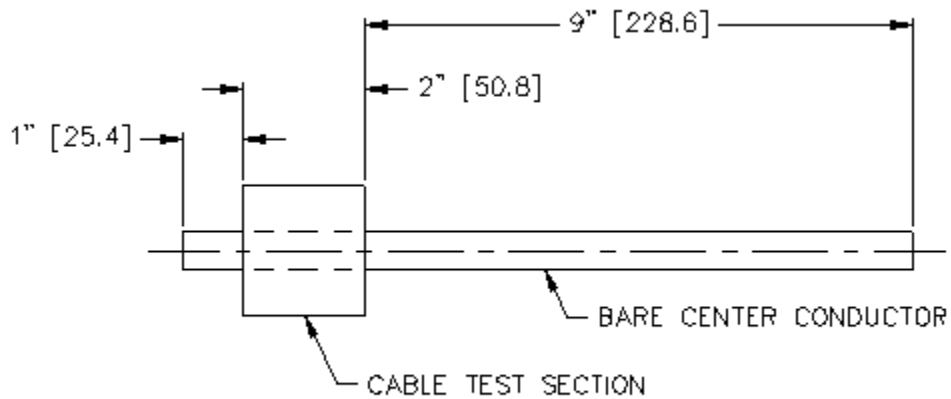
- 2.1 ANSI/SCTE 15 2006, Specification for Trunk, Feeder and Distribution Coaxial Cable

## 3.0 EQUIPMENT

- 3.1 Utility knife or equivalent.
- 3.2 Diagonal side cutters or equivalent for cutting center conductor.
- 3.3 Appropriate measuring device.
- 3.4 Band Saw.
- 3.5 Tubing Cutter (Optional).
- 3.6 Tensile testing apparatus.
  - 3.6.1 Shall be capable of indicating peak load attained.
  - 3.6.2 Load scale shall be calibrated.
  - 3.6.3 Must be capable of maintaining a rate of travel of 2 inches per minute.
- 3.7 Test fixture for securing cable samples to the tensile tester. See attached sketch.
  - 3.7.1 The fixture shall be constructed so as not to flex significantly under the applied loads.
  - 3.7.2 The fixture shall apply force evenly to the outer conductor and dielectric.
  - 3.7.3 The fixture shall have a hole for center conductor insertion that is a minimum 1 percent larger than the center conductor size being tested.

#### 4.0 TEST SAMPLES

- 4.1 Finished cable sample must be long enough to allow an undisturbed 2-inch test section and enough bare center conductor to fit through the test fixture and into tensile tester jaws. A 1-inch tail shall remain on the pull through end of the sample. Suggested sample length is 12 inches. See figure 1.



NOTE:

1. ALL DIMENSIONS ARE IN INCHES AND [MILLIMETERS].

**Figure 1**

- 4.2 At 1 inch and 3 inches from one end of the sample, make circumferential cuts through the outer conductor. Do not cut the center conductor. The spacing between these cuts will be the 2 inch test section length. These cuts can be made with any device that gives smooth even cuts such as a band saw, hacksaw or tubing cutter.
- 4.3 Using a band saw, make two cuts longitudinally through the outer conductor for both ends of the sample. This will allow the outer conductor and dielectric to be removed without disturbing the test section. DO NOT cut the test section longitudinally.
- 4.4 After removing the outer conductor, remove the dielectric from the center conductor on both ends of the sample. No dielectric material shall extend past the outer conductor on the prepared sample. Care should be taken when removing the outer conductor so as not to twist the center conductor. This can weaken the bond between the dielectric and the center conductor.
- 4.5 The remaining 2 inches shall be completely intact (outer conductor, dielectric and center conductor).

NOTE: Other methods of outer conductor removal may be used providing the 2 inch test section is completely intact. In the case of disc and air dielectric, care shall be taken so that the 2 inch test section contains 2 discs.

## 5.0 TEST METHODS

- 5.1 With the test fixture (see figure 2) attached to the tensile test apparatus, insert the stripped end of the center conductor through the appropriate hole in the test plate.

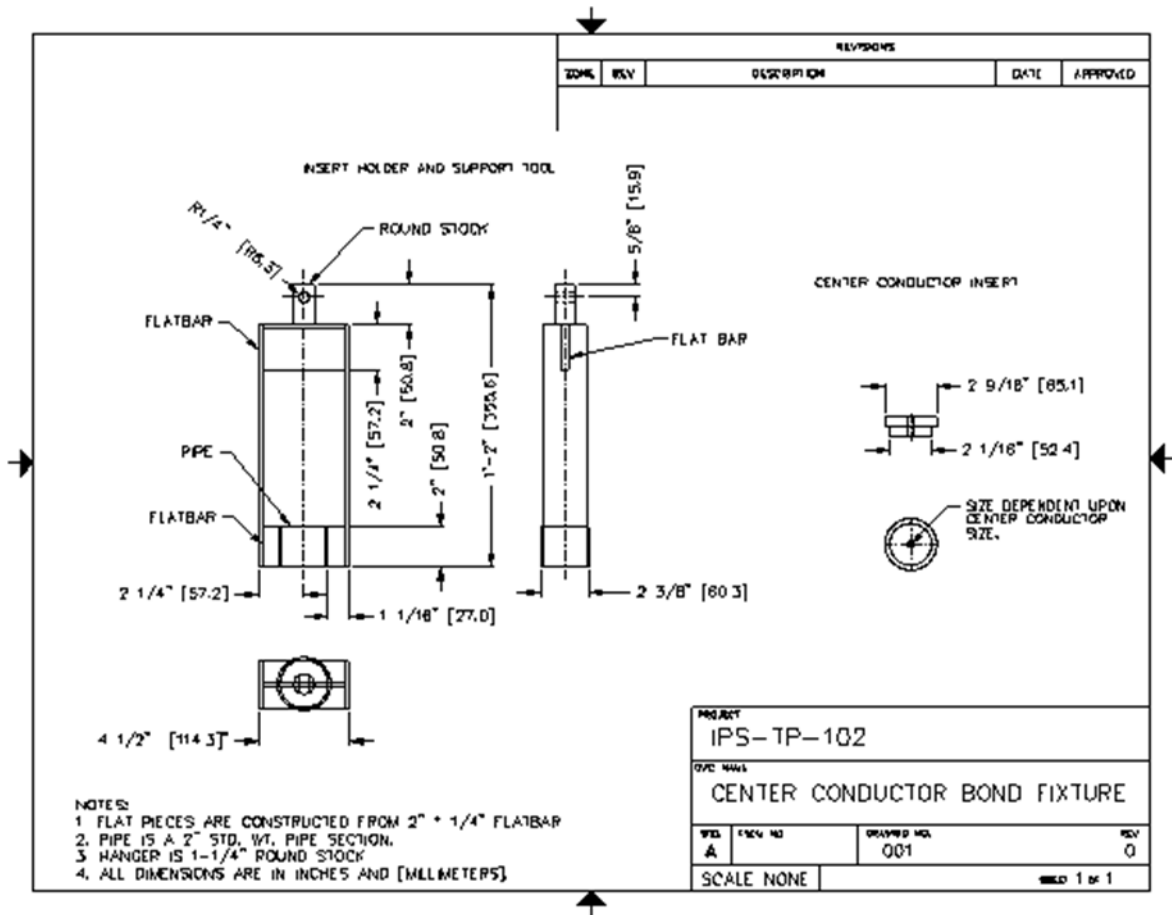


Figure 2

- 5.2 Secure the center conductor in the jaws of the tensile tester.
- 5.3 Set the load indicator to zero.
- 5.4 Start the tensile test apparatus traveling member at a rate of 2 inches per minute.
- 5.5 Allow it to continue until breaking the center conductor bond. (This is evidenced by no further increase in load.)

## 6.0 INSPECTION

- 6.1 Record test data to include the following: cable manufacturer, cable size, cable type, sample reel number, date of inspection, inspector number or signature, test method number and revision, date and maximum load obtained. See attached test result data sheet.

### TEST RESULTS

Test Procedure: ANSI/SCTE 12 2011 – Center Conductor Bond to Dielectric

Date of Issue: \_\_\_\_\_

Make of Tensile Test Device: \_\_\_\_\_ Model: \_\_\_\_\_

Test Device Calibration Date: \_\_\_\_\_

Tested By: Company: \_\_\_\_\_ Location: \_\_\_\_\_

Inspector: \_\_\_\_\_ Date: \_\_\_\_\_

Sample Number	Cable Manufacturer	Cable Size	Cable Type	Cable Reel Number	Maximum Load Obtained
1					
2					
3					
4					
5					
6					
7					
8					
9					
10					
11					
12					
13					
14					
15					
16					
17					
18					
19					
20					