

SCTE | **STANDARDS**

Network Operations Subcommittee

AMERICAN NATIONAL STANDARD

ANSI/SCTE 25-1 2017 (R2022)

**Hybrid Fiber Coax Outside Plant Status Monitoring –
Physical (PHY) Layer Specification v1.**

1 NOTICE

The Society of Cable Telecommunications Engineers (SCTE) Standards and Operational Practices (hereafter called “documents”) are intended to serve the public interest by providing specifications, test methods and procedures that promote uniformity of product, interoperability, interchangeability, best practices, and the long term reliability of broadband communications facilities. These documents shall not in any way preclude any member or non-member of SCTE from manufacturing or selling products not conforming to such documents, nor shall the existence of such standards preclude their voluntary use by those other than SCTE members.

SCTE assumes no obligations or liability whatsoever to any party who may adopt the documents. Such adopting party assumes all risks associated with adoption of these documents and accepts full responsibility for any damage and/or claims arising from the adoption of such documents.

NOTE: The user’s attention is called to the possibility that compliance with this document may require the use of an invention covered by patent rights. By publication of this document, no position is taken with respect to the validity of any such claim(s) or of any patent rights in connection therewith. If a patent holder has filed a statement of willingness to grant a license under these rights on reasonable and nondiscriminatory terms and conditions to applicants desiring to obtain such a license, then details may be obtained from the standards developer. SCTE shall not be responsible for identifying patents for which a license may be required or for conducting inquiries into the legal validity or scope of those patents that are brought to its attention.

Patent holders who believe that they hold patents which are essential to the implementation of this document have been requested to provide information about those patents and any related licensing terms and conditions. Any such declarations made before or after publication of this document are available on the SCTE web site at <https://scte.org>.

All Rights Reserved
©2022 Society of Cable Telecommunications Engineers, Inc.
140 Philips Road
Exton, PA 19341

2 Document Types and Tags

Document Type: Specification.

Document Tags:

- | | | |
|---|------------------------------------|--|
| <input type="checkbox"/> Test or Measurement | <input type="checkbox"/> Checklist | <input type="checkbox"/> Facility |
| <input type="checkbox"/> Architecture or Framework | <input type="checkbox"/> Metric | <input checked="" type="checkbox"/> Access Network |
| <input type="checkbox"/> Procedure, Process or Method | <input type="checkbox"/> Cloud | <input type="checkbox"/> Customer Premises |

3 Document Release History

Release	Date
SCTE 25-1 2001	<i>11/6/2001</i>
SCTE 25-1 2008	<i>8/22/2008</i>
SCTE 25-1 2017	<i>8/14/2017</i>
SCTE 25-1 2017 (R2022)	<i>Feburary 2022</i>

Note: This document is a reaffirmation of SCTE 25-1 2017. No substantive changes have been made to this document. Information components may have been updated such as the title page, NOTICE text, headers, and footers.

TABLE OF CONTENTS

1	NOTICE	2
2	DOCUMENT TYPES AND TAGS	3
3	DOCUMENT RELEASE HISTORY	4
3.1	SCOPE	9
3.2	TRANSPONDER TYPE CLASSIFICATIONS	9
3.3	HMS REFERENCE ARCHITECTURE FORWARD AND RETURN CHANNEL SPECIFICATIONS	11
3.4	HMS SPECIFICATION DOCUMENTS	12
3.5	FUNCTIONAL ASSUMPTIONS	13
3.5.1	<i>Forward and Return Spectrum</i>	13
3.5.2	<i>Transmission Levels</i>	13
4	PHYSICAL LAYER SPECIFICATION	14
4.1	SEPARATE FORWARD AND RETURN CHANNELS	14
4.2	SINGLE FORWARD AND RETURN PATH CHANNELS	14
4.3	BYTE-BASED TRANSMISSION	14
4.4	BYTE FORMATS AND TRANSMISSION ORDER	14
4.5	PACKET-BASED TRANSMISSION	15
4.6	DUPLEX OPERATION	15
4.7	FORWARD AND RETURN CHANNEL SPECIFICATIONS	15
4.7.1	<i>Transmit Power Level</i>	17
4.7.2	<i>Transmit Power Accuracy</i>	18
4.7.3	<i>Transmit Power Step Size</i>	18
4.7.4	<i>Transmitter Frequencies</i>	18
4.7.5	<i>Transmitter Frequency Step Size</i>	18
4.7.6	<i>Transmitter Frequency Accuracy</i>	18
4.7.7	<i>Transmitter Conducted Spurious</i>	18
4.7.8	<i>Spectral Shape</i>	18
4.7.9	<i>Transmitter Out-of-Band Noise Suppression</i>	19
4.7.10	<i>Transmit Nominal Impedance</i>	19
4.7.11	<i>Transmit Return Loss</i>	19
4.7.12	<i>Maximum Ramp-Up Time</i>	19
4.7.13	<i>Maximum Ramp-Down Time</i>	19
4.7.14	<i>Transmitter Front Porch Time</i>	20
4.7.15	<i>Receive Power Dynamic Range</i>	20
4.7.16	<i>Receive Tuning Range</i>	20
4.7.17	<i>Receiver Frequency Step Size</i>	20
4.7.18	<i>Receive C/(N+I)</i>	20
4.7.19	<i>Receiver Selectivity</i>	21
4.7.20	<i>Receive Nominal Impedance</i>	21
4.7.21	<i>Receive Return Loss</i>	21
4.7.22	<i>Transmitter Slew Rate</i>	21

4.7.23	<i>Transmitter On/Off Ratio</i>	22
4.7.24	<i>Modulation Technique</i>	22
4.7.25	<i>Bit Rate</i>	22
4.7.26	<i>Bit Rate Accuracy</i>	22
4.7.27	<i>Transmitter Power Delta Between ‘Mark’ and ‘Space’</i>	22
4.7.28	<i>Transmission Duplexing</i>	22
4.7.29	<i>Transmission Mode</i>	22
4.7.30	<i>RF Connector</i>	22
4.7.31	<i>Operating Temperature Range</i>	23
4.8	MEDIA ACCESS CONTROL LAYER INTERFACE	23
4.9	RF CUTOFF	23
REFERENCES.....		24
5 NORMATIVE REFERENCES		24
APPENDIX A. GLOSSARY.....		25
APPENDIX B. LIST OF ACRONYMS		27

LIST OF FIGURES

FIGURE 1: HMS REFERENCE ARCHITECTURE DIAGRAM11
FIGURE 2: BIT TRANSMISSION ORDER15

LIST OF TABLES

TABLE 1: TRANSPONDER TYPE CLASSIFICATIONS.....10
TABLE 2: HMS DOCUMENT FAMILY12
TABLE 3: SPECTRAL LIMITS BY GEOGRAPHICAL AREA13
TABLE 4: HMS PHY CHANNEL RF AND MODULATION SPECIFICATIONS16

Introduction

The Hybrid Fiber Coax (HFC) Outside Plant (OSP) Physical (PHY) Layer Specification is part of the suite of specifications developed by the Hybrid Management Sub-Layer (HMS) subcommittee under the SCTE. The purpose of the HMS specifications is to support the design and implementation of interoperable management systems for evolving HFC cable networks. The HMS Physical (PHY) Layer Specification describes the physical layer portion of the protocol stack used for communication between HMS-compliant transponders interfacing to manage outside plant network elements (NE) and a centralized headend element (HE).

3.1 Scope

This specification describes the PHY layer requirements that must be implemented by all *Type 2* and *Type 3* compliant OSP HMS transponders on the HFC plant and the controlling equipment in the headend. Any exceptions to compliance with this specification will be specifically noted in this document as necessary. Refer to **Table 1** for a full definition of the Type Classifications.

Note

Electromagnetic Compatibility (EMC) is not specified in this standard and is left to the vendor to ensure compliance with local EMC regulatory requirements. Other than operating temperature, physical parameters such as shock, vibration, humidity, etc., are also not specified and left to the vendor's discretion.

3.2 Transponder Type Classifications

Transponder type classifications referenced within the HMS suite of specifications are defined in **Table 1**.

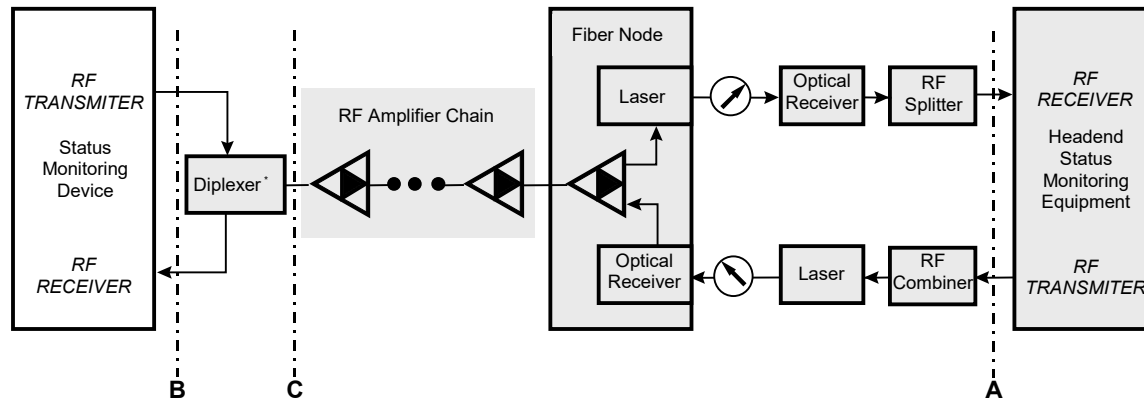
Table 1: Transponder Type Classifications

Type	Description	Application
<i>Type 0</i>	Refers to legacy transponder equipment which is incapable of supporting the HMS specifications.	<ul style="list-style-type: none"> • This transponder interfaces with legacy network equipment through proprietary means. • This transponder could be managed through the same management applications as the other types through proxies or other means at the headend.
<i>Type 1</i>	Refers to stand-alone transponder equipment (legacy or new) which can be upgraded to support the HMS specifications.	<ul style="list-style-type: none"> • This transponder interfaces with legacy network equipment through proprietary means. • Type 1 is a standards-compliant transponder (either manufactured to the standard or upgraded) that connects to legacy network equipment via a proprietary interface.
<i>Type 2</i>	Refers to a stand-alone, HMS-compliant transponder.	<ul style="list-style-type: none"> • This transponder interfaces with network equipment designed to support the electrical and physical specifications defined in the HMS standards. • It can be factory or field-installed. • Its RF connection is independent of the monitored NE.
<i>Type 3</i>	Refers to a stand-alone or embedded, HMS-compliant transponder.	<ul style="list-style-type: none"> • This transponder interfaces with network equipment designed to support the electrical specifications defined in the HMS standards. • It may or may not support the physical specifications defined in the HMS standards. • It can be factory-installed. It may or may not be field-installed. • Its RF connection is through the monitored NE.

3.3 HMS Reference Architecture Forward and Return Channel Specifications

The reference architecture for the HMS suite of specifications is illustrated in **Figure 1**.

Figure 1: HMS Reference Architecture Diagram



* The diplexer filter may be included as part of the network element to which the transponder interfaces, or it may be added separately by the network operator.

All quantities relating to forward channel transmission or reverse channel reception are measured at point A in **Figure 1**. All quantities relating to forward channel reception or reverse channel transmission are measured at point B for two-port devices and point C for single-port devices as shown in **Figure 1**.

3.4 HMS Specification Documents

A list of documents in the HMS specifications family is provided in **Table 2**.

Table 2: HMS Document Family

HMS Notation	Title
SCTE HMS PHY	HMS Outside Plant Status Monitoring – Physical (PHY) Layer Specification
SCTE HMS MAC	HMS Outside Plant Status Monitoring – Media Access Control (MAC) Layer Specification
SCTE HMS PSTIB	HMS Outside Plant Status Monitoring – Power Supply to Transponder Interface Bus (PSTIB) Specification
SCTE HMS ALARMS MIB	HMS Alarms Management Information Base
SCTE HMS COMMON MIB	HMS Common Management Information Base
SCTE HMS FIBERNODE MIB	HMS Fiber Node Management Information Base
SCTE HMS PROPERTY MIB	HMS Alarm Property Management Information Base
SCTE HMS PS MIB	HMS Power Supply Management Information Base
SCTE ROOT MIB	SCTE Root Management Information Base
SCTE HMS GEN MIB	HMS Power Supply Generator Management Information Base
SCTE HMS TIB MIB	HMS Transponder Interface Bus Management Information Base
SCTE HMS DOWNLOAD MIB	HMS Transponder Firmware Download Management Information Base
SCTE HMS TREE MIB	HMS Root Object Identifiers Management Information Base

3.5 Functional Assumptions

3.5.1 Forward and Return Spectrum

The forward spectrum in HFC cable systems refers to the passband of frequencies with a lower edge of between 48 MHz and 87.5 MHz, depending on the particular geographical area, and an upper edge that is typically in the range of 300 MHz to 860 MHz depending on implementation. Analog television signals in 6-MHz or 8-MHz channels are assumed to be present on the forward spectrum as well as other narrowband and wideband digital signals.

The return spectrum in HFC cable systems refers to the passband of frequencies with a lower edge of 5 MHz and an upper edge that is typically in the range of 42 MHz to 65 MHz depending on the particular geographical area. Narrowband and wideband digital signals may be present on the return spectrum as well as analog television signals in 6-MHz or 8-MHz channels.

The full spectrum in HFC cable systems refers to the combined forward and return spectrums and excludes any guard band. The guard band refers to the unused frequency band between the upper edge of the usable return spectrum and the lower edge of the usable forward spectrum. Specific limits on forward and return spectrum for various geographical areas are detailed in **Table 3**.

Table 3: Spectral Limits by Geographical Area

Geography	Return Spectrum		Forward Spectrum	
	Minimum Frequency	Guard Band Lower Limit	Guard Band Upper Limit	Maximum Frequency
North America	5 MHz	42 MHz	48 MHz	1 GHz
Europe 1	5 MHz	30 MHz	47 MHz	862 MHz
Europe 2	5 MHz	50 MHz	70 MHz	862 MHz
Europe 3	5 MHz	65 MHz	87.5 MHz	862 MHz

3.5.2 Transmission Levels

The nominal level of the forward spectrum HMS carrier(s) is targeted to be no higher than –10 dBc relative to analog video nominal carrier levels. The nominal power level of the return spectrum HMS carrier(s) will be as low as possible to achieve the required margin above noise and interference. Uniform power loading per unit bandwidth is commonly followed in setting signal levels on the return spectrum, with specific levels established by the cable network operator to achieve the required carrier-to-noise and carrier-to-interference ratios.

4 Physical Layer Specification

This section describes version 1.0 of the HMS PHY layer specification. The PHY layer describes rules that govern the transmission of bytes from one device to another. The specific requirements of the HMS PHY layer are detailed in this section.

4.1 Separate Forward and Return Channels

The one-way communication channel from the HE to a managed OSP NE is referred to as the *forward* channel. The one-way communication channel from a managed OSP NE to the HE is referred to as the *return* channel. Both the forward and the return channels are placed on specific center frequencies. The forward and return channels' center frequencies are different. Since the NEs only listen to the forward channel, they cannot listen to return channel transmissions from other NEs. This channel separation is a result of the sub-band split between the forward and return portions of the typical HFC plant spectrum.

4.2 Single Forward and Return Path Channels

To keep management of carrier frequencies simple, each HMS-based status monitoring system has a single forward channel and a single return channel. This does not preclude the use of multiple monitoring systems, each with its own individual forward and return RF channels.

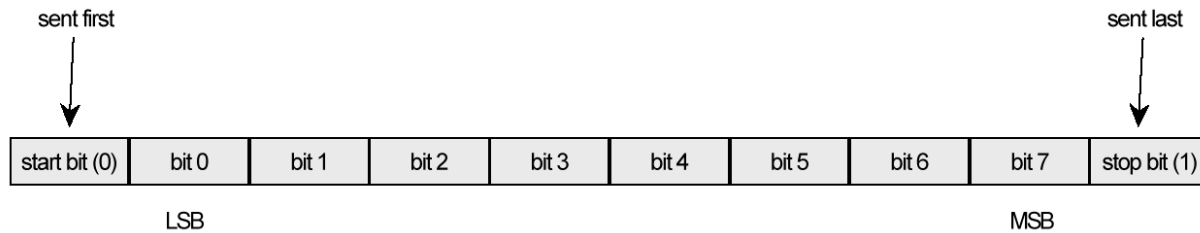
4.3 Byte-Based Transmission

The physical layer provides *byte-based* communications in both directions, between a managed NE and the headend. It delivers bytes from one end of the channel to the other end of the channel.

4.4 Byte Formats and Transmission Order

Bytes on both forward and return channels are ten bits in length. They contain one start bit, eight bits of data, and one stop bit. The start bit has binary value '0', and the stop bit has binary value '1.'

Throughout this document, bits labeled '0' are the least significant bits (LSBs). The LSB of a single byte is always transmitted first following the start bit. Bits labeled '7' are the most significant bits (MSBs). The MSB of a single byte is always transmitted last followed by the stop bit. The transmission order is summarized in **Figure 2**.

Figure 2: Bit Transmission Order

4.5 Packet-Based Transmission

Transmission in both forward and return channels is implemented using packets. Transmission on the forward channel is continuous; there is no gap in RF output between packets. Packets are separated by a continuous sequence of bits having value ‘1’, i.e.: ‘mark’ tone. The channel is said to ‘rest on mark’ between packets.

Transmission on the return channel is accomplished with burst packets. Packets are separated by periods of silence when the transmitter is turned off. Burst communication is used in the return path of HFC systems because of its ability to solve the many-to-one multiple access characteristic by allowing terminals to ‘take turns’ transmitting.

4.6 Duplex Operation

The physical layer implementation in HMS-compliant transponders interfacing to OSP NEs shall support half-duplex operation. There is no requirement for full-duplex operation.

4.7 Forward and Return Channel Specifications

HMS PHY channel RF and modulation specifications for the forward and return communications channels are shown in **Table 4**. Descriptions of each parameter are provided following that table. Any exceptions to compliance with the specifications in **Table 4** will be specifically noted in this document as necessary.

Table 4: HMS PHY Channel RF and Modulation Specifications

Item	HE	Transponder
Transmit Power Level	+40 dBmV to +51 dBmV	+25 dBmV to +45 dBmV
Transmit Power Accuracy	± 2 dB	± 3 dB
Transmit Power Step Size	2 dB	2 dB
Transmitter Frequencies (ref. North American)	48 MHz to 162 MHz, in 6 MHz bands: 1) 48-54 MHz 2) 54-60 MHz (Channel 2) 3) 60-66 MHz (Channel 3) 4) 66-72 MHz (Channel 4) 5) 72-78 MHz 6) 78-84 MHz (~ Channel 5) 7) 84-90 MHz (~ Channel 6) 8) 90-96 MHz (A-5) 9) 96-102 MHz (A-4) 10) 102-108 MHz (A-3) 11) 108-114 MHz (A-2) 12) 114-120 MHz (A-1) 13) 120-126 MHz (Channel 14) 14) 126-132 MHz (Channel 15) 15) 132-138 MHz (Channel 16) 16) 138-144 MHz (Channel 17) 17) 144-150 MHz (Channel 18) 18) 150-156 MHz (Channel 19) 19) 156-162 MHz (Channel 20)	5 MHz to 21 MHz, in 4 MHz bands: 1) 5-9 MHz 2) 9-13 MHz 3) 13-17 MHz 4) 17-21 MHz
Transmitter Tuning Range	Fully agile within each of the specified 6 MHz frequency operating ranges	Fully agile within each of the specified 4 MHz frequency operating ranges
Transmitter Frequency Step Size	100 kHz	100 kHz
Transmitter Frequency Accuracy	± 10 kHz	± 10 kHz
Transmitter Cutoff	Not Applicable	1 s
Transmitter Spurious emissions outside operating channel bandwidth during ON state	-65 dBc over the Forward Spectrum (Referenced to the unmodulated forward carrier)	-55 dBc over the Full Spectrum
Transmitter Conducted Spurious emissions outside operating channel bandwidth during OFF state	Not Applicable	Single Port Devices: -35 dBmV 5-1000 MHz Dual Port Devices, Transmit Port: -35 dBmV from 5-200 MHz -15 dBmV from 200-1000 MHz Dual Port Devices, Receive Port: -15 dBmV from 5-50 MHz -35 dBmV from 50-1000 MHz
Spectral Shape	< 400 kHz @100 dBc/Hz, 48 to 162 MHz	< 800 kHz @95dBc/Hz, 5 to 13 MHz < 400 kHz @95dBc/Hz, 13 to 21 MHz
Transmitter Out-of-Band Noise Suppression	C/N of better than -60 dBc with a 4 MHz measurement bandwidth, across the Forward Spectrum.	
Transmit Nominal Impedance	75 Ω	75 Ω
Transmit Return Loss	8 dB or better across Forward Spectrum	12 dB or better
Max. Ramp-Up Time	Not Applicable	100 μ s from 10% to 90% of Peak Power
Max. Ramp-Down Time	Not Applicable	100 μ s from 90% to 10% of Peak Power

Item	HE	Transponder
Transmitter Front Porch Time	Not Applicable	600 μ s to 1.2 ms
Receiver Dynamic Range	-20 dBmV to +20 dBmV	-20 dBmV to +20 dBmV
Receiver Tuning Range	Fully agile within each of the specified 4 MHz return frequency operating ranges	Fully agile within each of the specified 6 MHz forward frequency operating ranges
Receiver Frequency Step Size	100 kHz	100 kHz
Receiver C/(N+I) (for BER better than 10^{-6})	20 dB	20 dB
Receiver Selectivity	CW Carrier @ band edge +10 dB higher than received in-band signal power	CW Carrier at +/-250 kHz from the receiver center frequency +10 dB higher than received in-band signal power
Receiver Nominal Impedance	75 Ω	75 Ω
Receive Return Loss	12 dB, or better, across Return Spectrum	12 dB or better. See Section 4.7.21
Transmitter Maximum Slew Rate	8 μ s See Section 4.7.22	15 μ s See Section 4.7.22
Transmitter On / Off Ratio	Not Applicable	60 dB
Modulation Technique	FSK, $\Delta f = 67$ kHz ± 10 kHz	FSK, $\Delta f = 67$ kHz ± 10 kHz
Modulation Map	Mark = $f_c + \Delta f$, Space = $f_c - \Delta f$	Mark = $f_c + \Delta f$, Space = $f_c - \Delta f$
Bit Rate	38.4 kbps	38.4 kbps
Bit Rate Accuracy	± 100 ppm	± 100 ppm
Transmitter Power Delta between Mark and Space	1 dB	2 dB
Transmission Duplexing		Half
Transmission Mode	Continuous packet transmission. Rests on 'mark' between packets.	Burst packet transmission. Off between packets.
RF Connector	Female "F", Outdoor Ref. ANSI/SCTE IPS SP 400 <i>or</i> Female "F", Indoor Ref. ANSI/SCTE IPS SP 406	Female "F", Outdoor Ref. ANSI/SCTE IPS SP 400
Operating Temperature Range		-40° Celsius to +85° Celsius

4.7.1 Transmit Power Level

The transmit power level specifies the minimum set of peak power levels supported by the transmitter. It is expressed in dBmV and is measured across the full bandwidth of a single channel.

In the Type 3 case where a NE such as a fiber node, amplifier or power supply, has built-in transponder functionality, the equipment is exempted from complying with this particular parameter. In such a case, there is no practical way to measure the transmitted power of the transponder, only the power seen at the NE's output, which may be affected by coupling losses internal to the NE. Even though the equipment is exempt from compliance in this particular case, the NE vendor must supply a clear specification of the equipment's transmit power levels at the NE's output so that it can be properly engineered into the network.

4.7.2 Transmit Power Accuracy

Transmit power accuracy is the accuracy of the actual transmitted power relative to the provisioned value for transmit power. Transmit power accuracy is valid over a temperature range defined by the Operating Temperature Range.

4.7.3 Transmit Power Step Size

Transmit power step size specifies the minimum change in the provisioned output power level that the transmitter must support. When changing the provisioned output power level by the Transmit Power Step Size, the actual transmit power level shall nominally respond by the Transmit Power Step Size for each step over the entire transmitter power level range.

4.7.4 Transmitter Frequencies

The transmitter frequencies specify the minimum set of frequencies on which the center frequency of the transmitter may be placed. On the forward channel, the center frequencies are segmented into 6 MHz ranges. The return channel is segmented into 4 MHz ranges. At a minimum, vendors must support one 6 MHz forward band and one 4 MHz return band.

Both the forward and return channels require the transmitter to be dynamically agile over the specified set of frequencies. A dynamically agile system allows the user to select and set the transmission frequency in real-time while the product is in use. The specific mechanism used to implement agility is left to the vendor.

4.7.5 Transmitter Frequency Step Size

This is the allowed carrier frequency increment for tuning purposes. This does not imply that carriers may be placed one step apart.

4.7.6 Transmitter Frequency Accuracy

The accuracy of the actual transmitted center frequency relative to the provisioned value for that frequency. The output frequency accuracy is valid over a temperature range specified by the Operating Temperature Range specification, over the full frequency range of the transmitter and over the full range of powers.

4.7.7 Transmitter Conducted Spurious

Transmitter Conducted Spurious refers to conducted emissions outside of the operating channel bandwidth.

4.7.8 Spectral Shape

Transmitted power outside of the channel width must be attenuated according to the spectral emission and spurious tone specifications. The channel width is the spectral width of the channel.

4.7.9 Transmitter Out-of-Band Noise Suppression

This is a Carrier-to-Noise specification covering noise outside of the transmit channel and refers to the total noise power as measured with a 4MHz measurement bandwidth.

4.7.10 Transmit Nominal Impedance

The impedance that the transmitter is designed to launch into.

4.7.11 Transmit Return Loss

The transmit return loss is the ratio of the transmitted signal power to the reflected signal power at the transmitter. The transmit return loss shall meet or exceed the specification at all frequencies in the measurement range.

HE

The transmit return loss shall apply over the Forward Spectrum.

Transponder

Dual Port Return loss specification applies to the RF transmit port of dual port devices in the frequency range defined by the Return Spectrum.

Single Port Return loss specification applies to the common RF port of single-port devices in the frequency range defined by the Full Spectrum.

In the Type 3 case where a NE such as a fiber node, amplifier or power supply, has built-in transponder functionality, the equipment is exempted from complying with this particular parameter. In such a case, there is no practical way to measure transmitter return loss of the transponder, only the return loss seen at the NE. However, the embedded transponder shall not degrade the overall transmit return loss at the NE. Even though the equipment is exempt from compliance in this particular case, the vendor must still supply a clear specification of the equipment's transmit return loss so that it can be properly engineered into the network.

4.7.12 Maximum Ramp-Up Time

The maximum ramp-up time is the maximum time the transmitter can take to go from 10% of full output peak power to 90% of full output peak power. This quantity is important because of the burst transmission nature of the channels involved.

4.7.13 Maximum Ramp-Down Time

The maximum ramp-down time is the maximum time the transmitter can take to go from 90% of full output peak power to 10% of full output peak power. This quantity is important because of the burst transmission nature of the channels involved.

4.7.14 Transmitter Front Porch Time

Front Porch Time specifies the time following ramp-up but before start of data transmission. During the Front Porch Time the transmitter rests on ‘mark’.

4.7.15 Receive Power Dynamic Range

The receive power dynamic range is the range of received power over which the receiver is guaranteed to meet bit error rate (BER) and carrier to noise-plus-interference ($C/(N+I)$) specifications. (See Section 2.7.17). It is expressed in dBmV.

In the Type 3 case where a NE such as a fiber node, amplifier or power supply, has built-in transponder functionality, the equipment is exempted from complying with this particular parameter. In such a case, there is no practical way to measure the receiver power range of the transponder, only the power seen at the managed NE’s RF input port which may not equal the power seen by the internal transponder because of coupling losses internal to the network element. Even though the equipment is exempt from compliance in this particular case, the vendor must still supply a clear specification of the equipment’s receive power range at the network element’s input so that it can be properly engineered into the network.

4.7.16 Receive Tuning Range

The receiver frequencies specify the minimum set of frequencies on which the center frequency of the receiver can be placed. On the forward channel, the center frequencies are segmented into 6-MHz ranges. The return channel is segmented into 4-MHz ranges. At a minimum, vendors must support one 6-MHz forward band and one 4-MHz return band.

Both the forward and return channels require the receiver to be dynamically agile over the specified set of frequencies. A dynamically agile system allows the user to select and set the receiver frequency in real-time while the product is in use. The specific mechanism used to implement agility is left to the vendor.

4.7.17 Receiver Frequency Step Size

This is the allowed carrier frequency increment for tuning purposes. This does not imply that carriers may be placed one step apart.

4.7.18 Receive $C/(N+I)$

The receive $C/(N+I)$ is the minimum ratio of the received signal power to the received noise + interference power at the receiver input, measured across the full channel frequency width, required to achieve the specified BER. It is valid across the entire dynamic range of the receiver and over the temperature range specified for the equipment. It is also valid regardless of what other signals are present on the cable plant, as long as they meet the selectivity specification described in section 2.7.18. It is measured only in the presence of Gaussian noise. Impulse noise is not included when measuring the receive $C/(N+I)$.

4.7.19 Receiver Selectivity

Selectivity measures the receiver's ability to reject a nearby carrier. It is the ratio of the power of an interfering continuous wave (CW) carrier to the received in-band power. The interfering carrier is located at a specific frequency relative to the receiver's center frequency. The receiver must meet the $C/(N+I)$ specification given in section 2.7.17 in the presence of any interfering carrier which meets the selectivity criteria.

4.7.20 Receive Nominal Impedance

The impedance for which the receiver is designed.

4.7.21 Receive Return Loss

The receive return loss is the ratio of the received signal power to the reflected signal power at the receiver measured over the specified frequency range.

HE

The receive return loss applies over the Return Spectrum.

Transponder

The receive return loss applies as follows:

- Dual Port** The Return Loss specification applies to the RF receive port of dual port devices in the frequency range defined by the Forward Spectrum.
- Single Port** The Return Loss specification applies to the common RF port of single-port devices in the frequency range defined by the Full Spectrum.

In the Type 3 case where a NE such as a fiber node, amplifier or power supply, has built-in transponder functionality, the equipment is exempted from complying with this particular parameter. In such a case, there is no practical way to measure the receiver return loss of the transponder, only the return loss seen at the NE. However, the embedded transponder shall not degrade the overall receive return loss at the NE. Even though the equipment is exempt from compliance in this particular case, the vendor must still supply a clear specification of the equipment's receive return loss so that it can be properly engineered into the network.

The network engineer may need to add loss at the transponder's coupler in order to achieve a return loss that is sufficient to avoid impacting other services offered in the band.

4.7.22 Transmitter Slew Rate

The slew rate describes how quickly the transmitter moves from transmitting a logical '0' to a logical '1' and vice versa. For both the forward and return channels, the transmitter's transition time between binary states must be controlled to ensure that the signal frequency is within 13.4 kHz ($2\Delta f \times 10\%$), for a Δf of 67 kHz, of the initial and final values of $+\Delta f$ or $-\Delta f$, within the specified time.

4.7.23 Transmitter On/Off Ratio

The ratio between the ‘On’ transmitted power and the ‘Off’ transmitted power.

4.7.24 Modulation Technique

The modulation technique is the method by which digital information is impressed into the analog channel. In this case, the modulation is binary frequency shift keying (FSK) with the two shift tones at $\pm\Delta f$ from the center frequency. A logical ‘1’ is mapped to the upper of the two shift frequencies and a logical ‘0’ is mapped to the lower of the two shift frequencies. The notation f_c denotes the center frequency of the channel and Δf denotes the FSK frequency shift. The ‘mark’ (logical ‘1’) frequency is $f_1 = f_c + \Delta f$ and the ‘space’ (logical ‘0’) frequency is $f_0 = f_c - \Delta f$.

4.7.25 Bit Rate

The bit rate is the nominal transmission rate for the channel.

4.7.26 Bit Rate Accuracy

The bit rate accuracy is the maximum deviation from the provisioned value of the bit rate. It is valid over the full temperature range specified for the equipment.

4.7.27 Transmitter Power Delta Between ‘Mark’ and ‘Space’

The difference between the peak power of the ‘mark’ signal and the peak power of the ‘space’ signal.

4.7.28 Transmission Duplexing

This specifies whether a device supports full-duplex or half-duplex operation.

4.7.29 Transmission Mode

The transmission mode describes the overall mode in which the physical layer transmits data. Bytes on both the forward and return channels are transmitted asynchronously. Both the forward and return channels are packet-based; however, they differ in how they handle the gaps between packets. On the forward channel, the transmitter is continuously on. It rests on ‘mark’ between packets. In contrast, the return channel transmitter turns off between packets. It does this to support multiple access on the many-to-one return channel.

4.7.30 RF Connector

This specifies the type of RF connector that must be supported. Support for an RF connector option depends on the transponder type as defined in **Table 1**.

4.7.31 Operating Temperature Range

This specifies the minimum set of temperatures over which HMS-compliant transponders must operate and meet this specification.

4.8 Media Access Control Layer Interface

The PHY layer delivers bytes to and from the Media Access Control (MAC) Layer based on its detection of the incoming signal. The exact method for delivering these bytes is left to the vendor. The physical layer could also deliver an indication of ‘insufficient power’ to indicate periods during which the quality of the received signal is too low to reliably detect binary 0’s and 1’s. The MAC layer can use this information to help it determine the beginning and end of packets. The exact method for declaring ‘insufficient power’ is left to the vendor.

4.9 RF Cutoff

RF cutoff is required on the return channel to shut down transponders that have failed with their transmitter ON. A transponder in this state is often referred to as a ‘babbling’. RF cutoff shall be invoked automatically to ensure a transponder shall never leave its transmitter ON for more than one second after it has been enabled or when a message is received from the headend indicating that the RF output should be cut off. The cutoff time must be such that, after taking into account timer inaccuracy, the RF transmitter shall be cut off within one second after it has been enabled. The cutoff mechanism should protect against all reasonably likely failures including a microprocessor failure. When cut off, the transponder’s RF output power should meet the On/Off power specification in Section 4.7.23. RF cutoff is not required on the forward channel.

5 Normative references

The following documents contain provisions, which, through reference in this text, constitute provisions of this standard. At the time of subcommittee approval, the editions indicated were valid. All standards are subject to revision, and parties to agreement based on this standard are encouraged to investigate the possibility of applying the most recent editions of the documents listed below.

- ANSI/SCTE 01 *Specification for F Port, Female, Outdoor* Exton, PA: Society of Cable Telecommunications Engineers, Inc.
- ANSI/SCTE 02 *Specification for “F” Port, Female, Indoor Physical Dimensions*. Exton, PA: Society of Cable Telecommunications Engineers, Inc.
- ANSI/SCTE 25-2 *Hybrid Fiber Coax Outside Plant Status Monitoring – Media Access Control (MAC) Layer Specification v1.0*. Exton, PA: Society of Cable Telecommunications Engineers, Inc.

Appendix A. Glossary

Forward Spectrum

This term refers to the passband of frequencies in HFC cable systems with a lower edge of between 48 MHz and 87.5 MHz, depending on the particular geographical area, and an upper edge that is typically in the range of 300 MHz to 860 MHz depending on implementation.

Full Spectrum

This term refers to the combined forward and return spectrums in HFC cable systems and excludes any guard band.

Guard Band

This term refers to the unused frequency band between the upper edge of the usable return spectrum and the lower edge of the usable forward spectrum in HFC cable systems.

Network Element (NE)

In the context of this specification, a network element is an active element in the outside plant that is capable of receiving commands from a headend element (HE) in the headend and, as necessary, providing status information and alarms back to the HE.

Open System Interconnection (OSI)

A framework of International Organization for Standardization (ISO) standards for communication between multi-vendor systems that organizes the communication process into seven different categories that are placed in a layered sequence based on the relationship to the user. Each layer uses the layer immediately below it and provides services to the layer above. Layers 7 through 4 deal with end-to-end communication between the message source and destination, and layers 3 through 1 deal with network functions.

Physical (PHY) Layer

Layer 1 in the Open System Interconnection (OSI) architecture; the layer that provides services to transmit bits or groups of bits over a transmission link between open systems and which entails electrical, mechanical and handshaking procedures.

Return Spectrum

This refers to the passband of frequencies in HFC cable systems with a lower edge of 5 MHz and an upper edge that is typically in the range of 42 MHz to 65 MHz depending on the particular geographical area.

Transponder

A device in the outside plant that interfaces to outside plant NEs and relays status and alarm information to the HE. It can interface with an active NE via an arrangement of parallel analog, parallel digital and serial ports.

Unmodulated Carrier

This term refers to a carrier resting on the 'mark' frequency rather than on the channel's center frequency.

Appendix B. List of Acronyms

BER.....	Bit Error Rate
CNR	Carrier-to-Noise Ratio
C/(N+I).....	Carrier to Noise-plus-Interference Ratio
CW	Continuous Wave
EMC	Electromagnetic Compatibility
FSK	Frequency Shift Keying
HE	Headend Element
HFC.....	Hybrid Fiber Coax
HMS	Hybrid Management Sub-Layer
LSB	Least Significant Bit
MSB	Most Significant Bit
NE	Network Element
MAC	Media Access Control
OSP	Outside Plant
PHY.....	Physical
RF.....	Radio Frequency
SCTE.....	Society of Cable Telecommunications Engineers