

# SCTE • ISBE<sup>®</sup>

## S T A N D A R D S

---

**Interface Practices Subcommittee**

---

**AMERICAN NATIONAL STANDARD**

**ANSI/SCTE 132 2019**

**Test Method for Reverse Path (Upstream)  
bit error rate**

## NOTICE

The Society of Cable Telecommunications Engineers (SCTE) / International Society of Broadband Experts (ISBE) Standards and Operational Practices (hereafter called “documents”) are intended to serve the public interest by providing specifications, test methods and procedures that promote uniformity of product, interchangeability, best practices and ultimately the long-term reliability of broadband communications facilities. These documents shall not in any way preclude any member or non-member of SCTE•ISBE from manufacturing or selling products not conforming to such documents, nor shall the existence of such standards preclude their voluntary use by those other than SCTE•ISBE members.

SCTE•ISBE assumes no obligations or liability whatsoever to any party who may adopt the documents. Such adopting party assumes all risks associated with adoption of these documents, and accepts full responsibility for any damage and/or claims arising from the adoption of such documents.

Attention is called to the possibility that implementation of this document may require the use of subject matter covered by patent rights. By publication of this document, no position is taken with respect to the existence or validity of any patent rights in connection therewith. SCTE•ISBE shall not be responsible for identifying patents for which a license may be required or for conducting inquiries into the legal validity or scope of those patents that are brought to its attention.

Patent holders who believe that they hold patents which are essential to the implementation of this document have been requested to provide information about those patents and any related licensing terms and conditions. Any such declarations made before or after publication of this document are available on the SCTE•ISBE web site at <http://www.scte.org>.

All Rights Reserved

© Society of Cable Telecommunications Engineers, Inc. 2019  
140 Philips Road  
Exton, PA 19341

## Table of Contents

<b>Title</b>	<b>Page Number</b>
NOTICE _____	2
Table of Contents _____	3
1. Introduction _____	4
2. Normative References _____	4
3. Informative References _____	4
4. Compliance Notation _____	5
5. Abbreviations and Definitions _____	5
6. Equipment _____	6
7. Setup _____	8
8. Test Setup _____	9
9. Procedure _____	10

## List of Figures

<b>Title</b>	<b>Page Number</b>
Figure 1 - BER Setup (Simulated Digital Noise Loading)	8
Figure 2 - BER Setup (QAM Generators)	8
Figure 3 - QAM only Display	9
Figure 4 - QAM & SDNL Display	9
Figure 5 - BER Graphical Dynamic Range Results	11
Figure 6 - BER Tabular Dynamic Range Results	11

## 1. Introduction

### 1.1. Executive Summary

This procedure defines a method of measurement for bit error rate (BER) in the return path of active Cable Telecommunications equipment. It is intended for measurement of 75-ohm. See the Cable Telecommunications Testing Guidelines document, ANSI/SCTE 96 2013, for a discussion of proper testing techniques.

### 1.2. Scope

Since the introduction of Cablelabs DOCSIS 3.1 specifications, QAM channels have been sharing the upstream spectrum with OFDMA channels. Through Proactive Network Maintenance (PNM), DOCSIS 3.1 specifications leverage CMTS and cable modem features and capabilities to enable measurement and reporting of network conditions and their effects. These measurements include FEC statistics (BER) as measured by the CMTS on upstream OFDMA channels. Accordingly, the scope of this test was not broadened to cover OFDMA channels. Instead, the reader is referred to the DOCSIS 3.1 specifications.

For bit error rate measurements in the forward path see ANSI/SCTE 121 2011.

## 2. Normative References

The following documents contain provisions, which, through reference in this text, constitute provisions of this document. At the time of Subcommittee approval, the editions indicated were valid. All documents are subject to revision; and while parties to any agreement based on this document are encouraged to investigate the possibility of applying the most recent editions of the documents listed below, they are reminded that newer editions of those documents might not be compatible with the referenced version.

### 2.1. SCTE References

- ANSI/SCTE 96 2013: Cable Telecommunications Testing Guidelines

### 2.2. Standards from Other Organizations

- DOCSIS 3.1, Physical Layer Specification, CM-SP-PHYv3.1-I13-171220, December 20, 2017, Cable Television Laboratories, Inc.

### 2.3. Published Materials

- No normative references are applicable.

## 3. Informative References

The following documents might provide valuable information to the reader but are not required when complying with this document.

### 3.1. SCTE References

- ANSI/SCTE 121 2011: Test Method for Downstream Bit Error Rate

### 3.2. Standards from Other Organizations

- No informative references are applicable.

### 3.3. Published Materials

- No informative references are applicable.

## 4. Compliance Notation

<i>shall</i>	This word or the adjective “ <i>required</i> ” means that the item is an absolute requirement of this document.
<i>shall not</i>	This phrase means that the item is an absolute prohibition of this document.
<i>forbidden</i>	This word means the value specified shall never be used.
<i>should</i>	This word or the adjective “ <i>recommended</i> ” means that there may exist valid reasons in particular circumstances to ignore this item, but the full implications should be understood and the case carefully weighted before choosing a different course.
<i>should not</i>	This phrase means that there may exist valid reasons in particular circumstances when the listed behavior is acceptable or even useful, but the full implications should be understood and the case carefully weighed before implementing any behavior described with this label.
<i>may</i>	This word or the adjective “ <i>optional</i> ” means that this item is truly optional. One vendor may choose to include the item because a particular marketplace requires it or because it enhances the product, for example; another vendor may omit the same item.
<i>deprecated</i>	Use is permissible for legacy purposes only. Deprecated features may be removed from future versions of this document. Implementations should avoid use of deprecated features.

## 5. Abbreviations and Definitions

### 5.1. Abbreviations

ANSI	American National Standard Institute
BER	bit error rate
dB	decibel
FEC	forward error correction
Hz	hertz
QAM	quadrature amplitude modulation
RF	radio frequency
SCTE	Society of Cable Telecommunications Engineers
SDNL	simulated digital noise loading

## 5.2. Definitions

bit error rate	The ratio of error bits to the total number of bits transmitted. BER is normally expressed as the negative exponent of a number. E.g. $1 \times 10^{-7}$ meaning that 1 out 10,000,000 bits is in error.
Forward Error Correction:	A system of error control for data transmission wherein the receiving device has the capability to detect and correct any character or code block that contains fewer than a predetermined number of symbols in error.
Symbol Rate	The number of symbols transmitted over a given time.

## 6. Equipment

Only equipment specific to this procedure is described in detail here. ANSI/SCTE 96 2008: Cable Telecommunications Testing Guidelines, should be consulted for further information on all other equipment

### 6.1. Equipment

#### 6.1.1. Digital Loading

Digital loading can consist of individual QAM channels or broadband simulated digital noise loading (SDNL)

##### A. Equipment if using Simulated Digital Noise Loading (SDNL)

- Broadband Noise Generator
  - Bandwidth equal to or wider than specified channel plan
  - Variable output power or incorporates an external variable attenuator.
- Appropriate bandpass (high/low pass) filter to shape the noise loading in accordance with the specified channel plan
  - 16 dB minimum return loss, 75ohm
  - +/- 10MHz from edge frequency, >40 dB rejection
  - +/- 0.25 dB flatness
  - < 1.5 dB insertion loss
- Notch filters (channel deletion filters)
  - Center frequency = Center frequency of test channel
  - 16 dB minimum return loss, 75ohm
  - Bandwidth sufficient for the modulation under test, >50 dB rejection
  - +/- 2MHz from band edge, <3.0 dB insertion loss
  - +/- 0.25 dB flatness in the passband
  - < 1.5 dB insertion loss

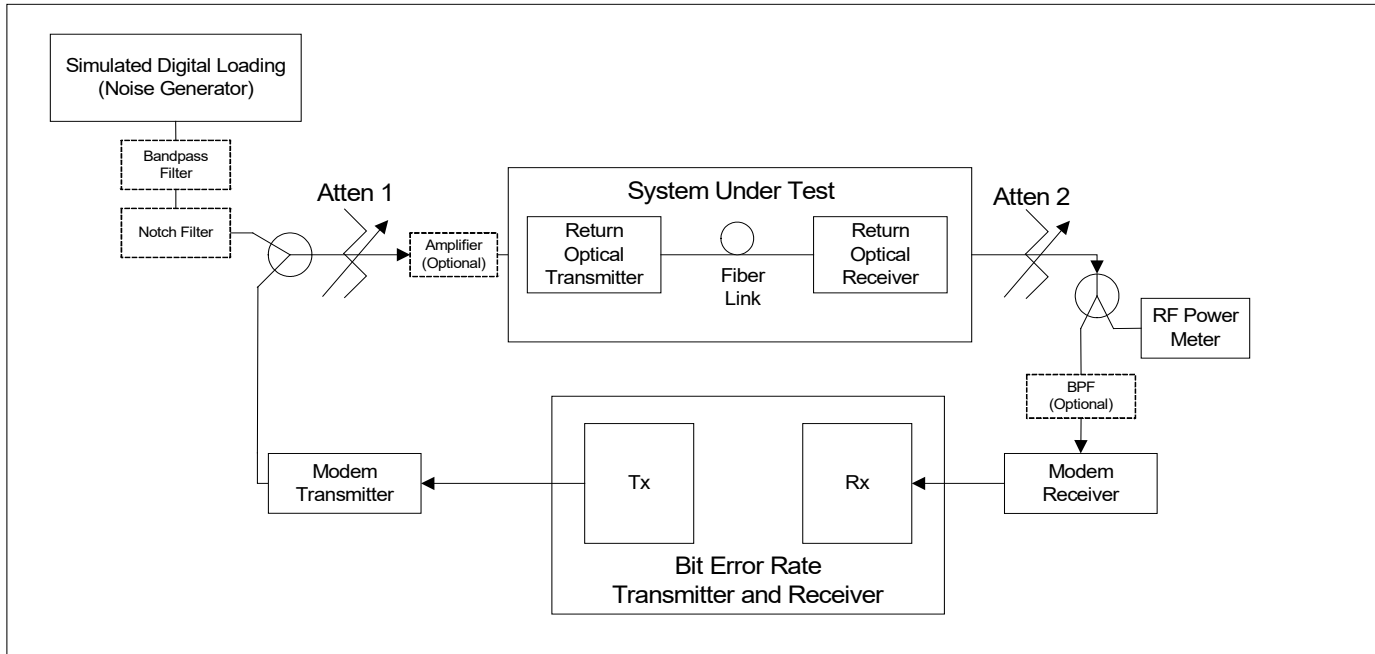
##### B. Equipment if using individual QAM channels for loading

- QAM generators, equal in bandwidth to channel under test (Quantity = digital bandwidth/QAM bandwidth -1)
- RF combiner, used to combine QAM generators

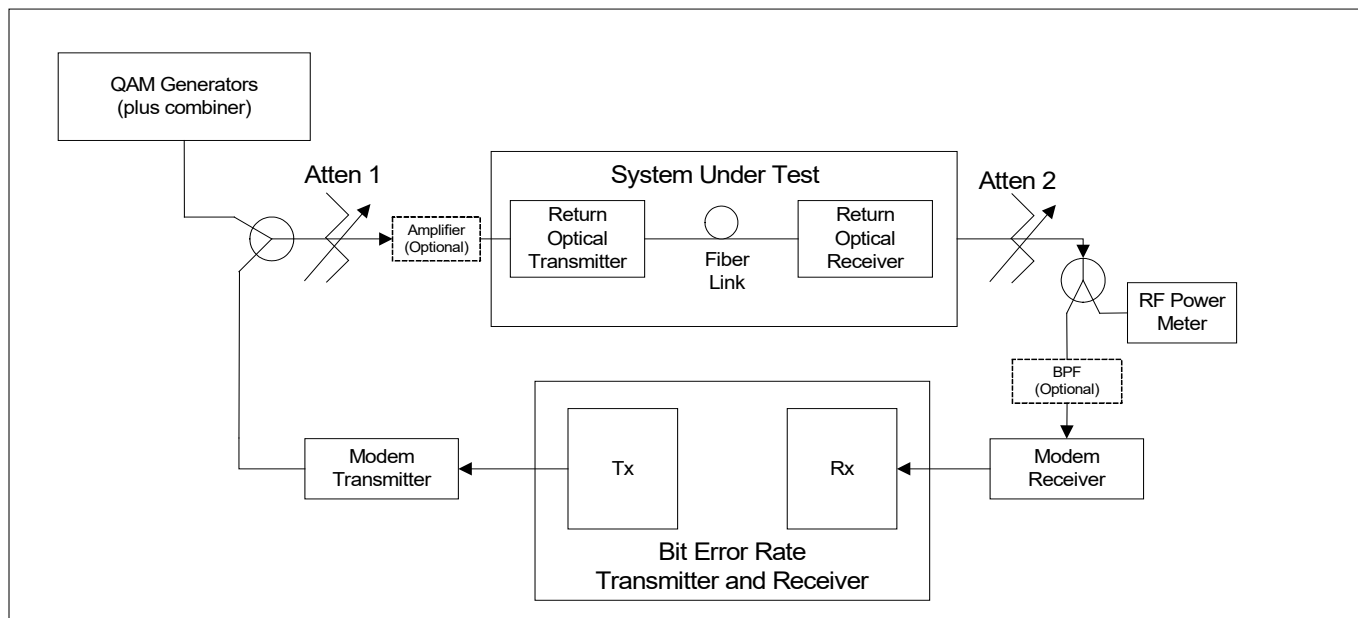
### **6.1.2. Common Equipment**

- Transmitter for conversion of data to a RF modulated signal in the range of return path frequency.
- Receiver for conversion of RF signals in the range of return path signals to data.
- bit error rate Transmitter and Receiver. This equipment generates and analyzes the data stream for errors. This equipment can be either a complete test set or standalone instruments. This equipment should be capable of both pre-FEC and post-FEC results as well as BER without FEC.
- Amplifier to obtain sufficient level at the System under test input
- QAM generator, frequency = test channel
- Optional Receiver/demodulator filter.
  - This filter may be required if the input of the receiver/demodulator is driven into overload by the full power loading of the test system.
  - This filter should have a 3 dB bandwidth of slightly greater than the symbol rate of the modulation method under test. For example, a 64 QAM signal with a symbol rate of 5.056941 Msps would normally use a 6 MHz wide filter.
  - This filter should have 25 dB of rejection at  $\pm 10$  MHz from the center frequency.
  - This filter should have an input/output impedance of 75 ohms and a return loss of 18 dB.
- (2) Variable attenuators (0.5 or 1 dB step capable)
- (2) 2-way signal splitter/combiner
- RF Power meter
- RF spectrum analyzer (optional)
- Adaptors, connectors and cables

## 7. Setup



**Figure 1 - BER Setup (Simulated Digital Noise Loading)**



**Figure 2 - BER Setup (QAM Generators)**



## 8. Test Setup

1. Following the equipment manufacturer's recommendations, perform the appropriate warm-up and calibration procedures.
2. Connect the equipment as shown in Figure 1 or Figure 2 but bypassing the system under test.
3. Source Level Setting

Refer to ANSI/SCTE 96 2008: Section 4.3.4.1 for Digital Power Measurements.

Using individual QAM carriers

- Set the RF center frequency as required per the channel plan
- The RF output level should be adjusted such that all digital channels are at an equal level as indicated in Figure 3



**Figure 3 - QAM only Display**

Simulated Digital Noise Loading

- When using a combination of Simulated Digital Noise Loading (SDNL) and a digitally modulated test channel, the actual digital channel will appear to be higher in level than the SDNL when viewed on a spectrum analyzer. The level of the digitally modulated channel should be set to the same level as the SDNL. This may be accomplished by setting the spectrum analyzer to measure power channel bandwidth or measuring in power/Hz.



**Figure 4 - QAM & SDNL Display**

4. Set the BER Transmitter to generate the specified data pattern and format. Be sure any forward error correction is turned OFF. Set the BER receiver to receive the desired data pattern and format. Note that no interleaving is used in return path testing.
5. Set the BER test set for a 1 minute test interval and begin the test. Record the result. Set the BER Transmitter to generate the specified data pattern and format. Set forward error correction ON.
6. Set the BER receiver to receive the desired data pattern and format. Note that no interleaving is used in return path testing.

Set the BER test set for a 1 minute test interval and begin the test. Record the result of both pre FEC and post FEC BER.

If either test case fails to meet error free performance, verify the test setup connections, levels, modulator/demodulator settings and BERT settings.

## 9. Procedure

1. Connect the System under Test into the test setup shown in Figure 1 or Figure 2. Note that the System under test can be an optical link, RF amplifier or other device.
2. Set the system under test to the specified input and output levels.
3. Measure the input level to the data Modem Receiver and use ATTN 2 to set the input level to the center of the receiver operating range.
4. Set the BER test integration time as required and begin the test.
5. Wait for the test integration time to complete and record the BER from the BER test set in a test spreadsheet.
6. Reduce the input level to the system under test by 1 dB with ATTN 1 and restart from 9.3.
7. When the BER measurements reach the limit from noise, return to the beginning level and increase the level to the system under test. Continue until the BER is limited by distortion.
8. When the BER reaches the limit of the test setup, typically  $10^{-9}$ , the data can be taken in 5 dB steps until the lower level limit is approached. At this point switch back to 1 dB steps.
9. Once the data is complete a graphical presentation can be made as shown in Figure 5.

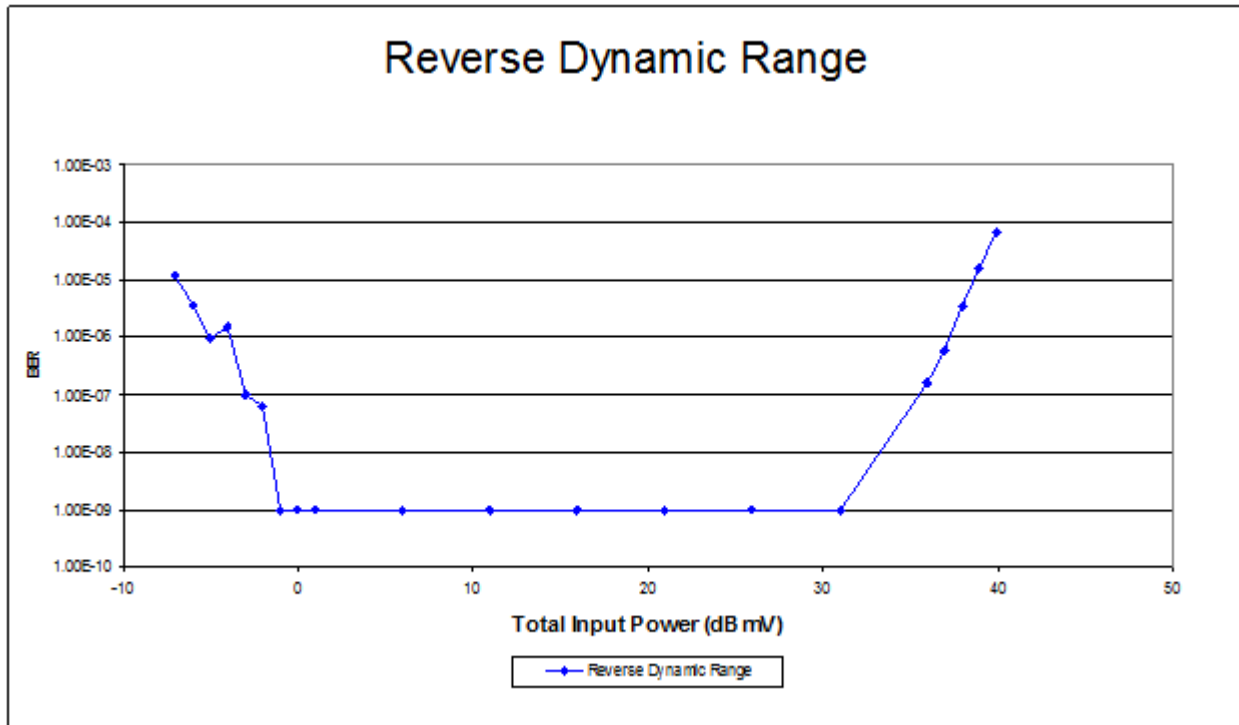


Figure 5 - BER Graphical Dynamic Range Results

Reverse Dynamic Range  
 SampleTime (S) = 120

DATA#	ATTN 1 VALUE	TOTAL POWER dBmV	AVERAGE BER	BIT ERRORS
1	9	39.94	6.90E-05	13018
2	10	38.94	1.57E-05	2971
3	11	37.94	3.52E-06	662
4	12	36.94	5.68E-07	107
5	13	35.94	1.60E-07	30
6	18	30.94	1.00E-09	0
7	23	25.94	1.00E-09	0
8	28	20.94	1.00E-09	0
9	33	15.94	1.00E-09	0
10	38	10.94	1.00E-09	0
11	43	5.94	1.00E-09	0
12	48	0.94	1.00E-09	0
14	49	-0.06	1.00E-09	0
15	50	-1.06	1.00E-09	0
16	51	-2.06	6.40E-08	12
17	52	-3.06	9.60E-08	18
13	53	-4.06	1.51E-06	285
18	54	-5.06	9.82E-07	191
19	55	-6.06	3.71E-06	699
20	56	-7.06	1.20E-05	2266

Figure 6 - BER Tabular Dynamic Range Results